

Serie | 6, Fully-integrated Built-in Dishwasher, 60 cm SMV68TX06E



Rely on PerfectDry for revolutionary drying results on challenging dishes, glassware and even plastic.

- **PerfectDry based on Zeolith®:** perfect drying results with 3D Airflow even on plastic dishes
- **Silence Program and SuperSilence:** remarkably quiet at 42dB, more so with the Silence program.
- **Rackmatic:** top basket adjustable on three levels offers additional space, especially for tall dishes.
- **GlassSecure Tray and Glass 40°C:** brilliant results and extra safety for wine glasses.
- **AquaStop:** 100% life time warranty for water damages guaranteed.

Technical Data

Energy Efficiency Class (Regulation (EU) 2017/1369):	D
Energy Consumption for 100 cycles Eco Programme (EU 2017/1369):	85
Maximum number of place settings (EU 2017/1369):	14
The water consumption of the eco programme in liters per cycle (EU 2017/1369):	9.5
Programme duration (EU 2017/1369):	3:15
Airborne acoustical noise emissions (EU 2017/1369):	42
Airborne acoustical noise emission class (EU 2017/1369):	B
Cleaning performance:	A
Water consumption (l):	9.5
Total annual energy consumption (kWh) 220 days:	183
Total annual water consumption (l) 220 days:	2090
Built-in / Free-standing:	Built-in
Removable top:	No
Door panel options:	Not possible
Height of removable worktop (mm):	0
Height of the product (mm):	815
Adjustable feet:	Yes - all from front
Maximum adjustability feet (mm):	60
Net weight (kg):	46.830
Gross weight (kg):	49.0
Connection Rating (W):	2400
Current (A):	10
Voltage (V):	220-240
Frequency (Hz):	50; 60
Length electrical supply cord (cm):	175
Plug type:	Gardy plug w/ earthing
Length inlet hose (cm):	165
Length outlet hose (cm):	190
Hidden heating element:	Yes
Water protection system description:	Triple water protection 24h
Child safety devices:	No
Water softener:	Yes
Adjustable upper basket:	Rackmatic 3-stage
3rd Rack:	3rd Rack 2.1
Cutlery Basket:	Standard
Optional accessories:	
SGZ1010, SMZ1051EU, SMZ2014, SMZ2056, SMZ5000, SMZ5003, SMZ5005, SMZ5035, SMZ5100, SMZ5300	
Included accessories 2:	Glasstray, vapor barrier plate
Number of place settings:	14
Color / Material panel:	Grey
Dimensions of the product (HxWxD):	815 x 598 x 550
Dimensions of the packed product (HxWxD) (mm):	880 x 670 x 660



Serie | 6, Fully-integrated Built-in Dishwasher, 60 cm SMV68TX06E

Rely on PerfectDry for revolutionary drying results on challenging dishes, glassware and even plastic.

Features

- ActiveWater hydraulic system
- Zeolite-Drying
- DosageAssist
- BLDC motor
- AquaSensor, Load-Sensor
- Glass care system
- Detergent Automation
- Heat exchanger
- TimeLight
- Alternating spray
- Self-cleaning filter system with 3-fold corrugated filter
- Stainless steel tub
- Incl. Steam protection plate

Specifications

- Fully integrated
- Capacity: 12+2 place settings
- Energy Efficiency Class: A+++
- Energy consumption in programmeEco50 °C: 237 kWh per year, based on 280 standard cleaning cycles using cold water fill and the consumption of the low power modes. Actual energy consumption will depend on how the appliance is used.
- Energy consumption in programmeEco50 °C: 0.83 kWh
- Power consumption off-mode / left-on mode: 0.5 W / 0.5 W
- Water consumption in programmeEco50 °C: 2660 litres per year, based on 280 standard cleaning cycles. Actual water consumption will depend on how the appliance is used.
- Water consumption in programmeEco50 °C: 9.5 l
- Drying Efficiency Class: A
- The information relates to the programme Eco50 °C. This programme is suitable to clean normally soiled tableware and

is the most efficient programme in terms of combined energy and water consumption.

- Programme time in programmeEco50 °C: 195 min
- Duration of the left-on mode: 0 min
- Noise level (silence programme): 40 dB(A) re 1 pW
- Energy consumption when connected to hot water in programmeEco50: 0.8-1.3 kWh
- Water consumption in programme Auto 45-65°C: from 7 l on, depending on degree of soiling
- Push button top controls
- TFT Display inside
- Acoustic end of cycle indicator
- Real Time Clock
- black/white/red
- Colour of LED: red
- Regenerative electronics
- Front-adjustable rear foot
- Dimensions of the product (HxWxD): 81.5x59.8x55cm

Programmes

- 8 Programme: Intensive 70°C, Auto 45-65°C, Eco 50°C, Silence 50°C, Short 60°C, Glass 40°C, Quick 45°C, Pre-rinse
- 4 special options: Home Connect Ready, VarioSpeedPlus, HygienePlus, Extra Dry
- Machine Care
- 6 cleaning temperatures
- Electronic delay timer: 1-24 hours
- LED salt refill indicator
- LED rinse aid refill indicator

Baskets and Racks

- Cutlery drawer 2.1
- Rackmatic height-adjustable top basket (3 stage)
- 6 foldable plate racks in top basket
- 8 foldable plate racks in bottom basket
- 2 lever (long/short)
- Glass rack in bottom basket
- Glasstray

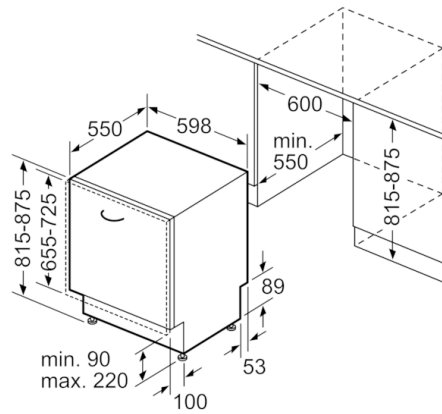
Safety

- AquaStop with guarantee
- Servo-lock

**Serie | 6, Fully-integrated Built-in
Dishwasher, 60 cm
SMV68TX06E**



() Werte mit Verlängerungssatz



measurements in mm